

NetWaySP4PX

4-port Media Converter with Integral Power Supply/Charger
For Composite Fiber (Powered) Cable Application



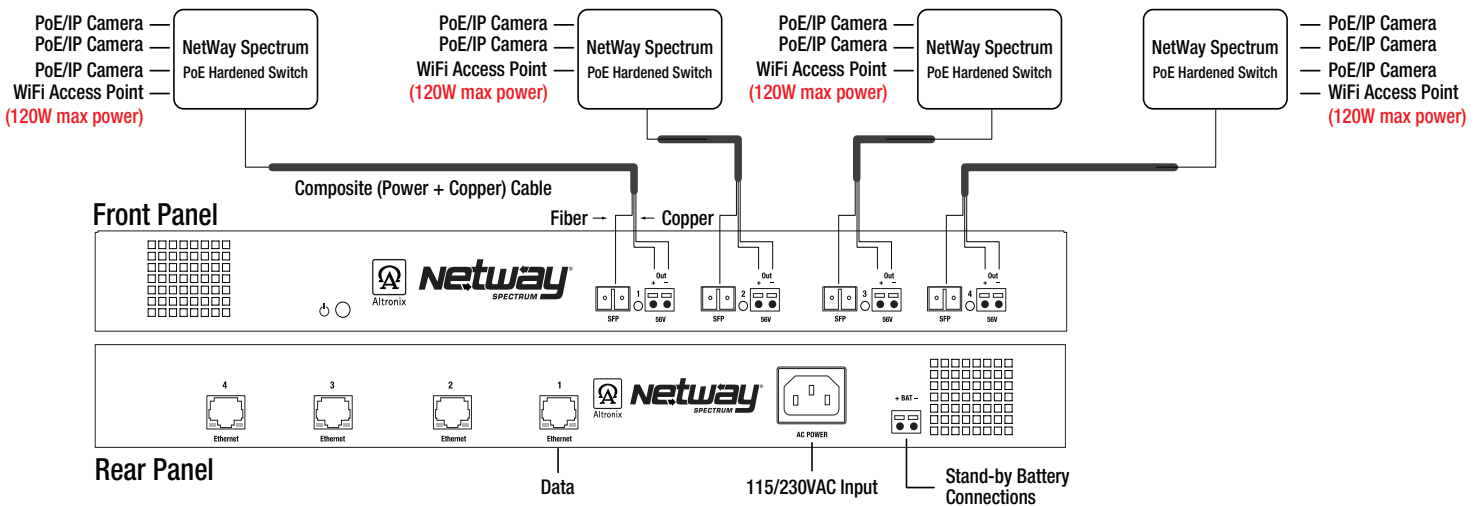
Altronix NetWaySP4PX provides four (4) 1Gb SFP ports and four (4) power outputs (480W total power) to be transmitted over single, multi-mode fiber as well as composite cable (fiber + copper combined) to NetWay Spectrum PoE hardened switches.



Key Features

- IEEE 802.3af, 802.3at and 802.3bt compliant
- Four (4) 1Gb SFP ports
- 120W max per port (480W total power)
- PoE activity and power LED indicators
- Built-in charger for sealed lead acid or gel type batteries
- Automatic switchover to stand-by battery when AC fails
- 1U rack mount chassis
- CE European Conformity

Typical Application



Compatible NetWay Spectrum Switches



- NetWaySP1BTWPN 3-PoE (802.3bt) ports, single SFP port
- NetWaySP3WPN 3-PoE ports, single SFP port
- NetWay4EWPN 4-PoE ports, single SFP port
- NetWay4E1WPN 4-PoE ports, single SFP port
- NetWaySP4WPN 4-PoE ports, 2-SFP ports
- NetWaySP4BTWPN 4-PoE (802.3bt) ports, 2-SFP ports
- NetWaySP8WPN 8-PoE ports, 2-SFP ports

Lifetime Warranty

NetWaySP4PX

4-port Media Converter with Integral Power Supply/Charger
For Composite Fiber (Powered) Cable Application



Specifications

Input

Voltage 115VAC, 60Hz, 5.5A or 230VAC, 50/60Hz, 3A (auto-ranging)

Output

Four (4) power outputs with 480W total power
120W max per output
IEEE 802.3af, 802.3at and 802.3bt compliant
Integral surge protection

SFP Ports:

Four (4) 1Gb SFP ports

Ethernet:

Four (4) Gigabit (1000Mbps) ports
Wire type: 4-pair CAT5e and higher
Connectivity: RJ45, auto-crossover
Speed: Gigabit (1000Mbps)
Distance: up to 100m

Indicators (LED)

Individual Power LEDs for each port
Individual IP Link status, 10/100 Base-T/active LEDs for each Ethernet port

Battery Charging

Type Sealed lead acid or gel type
Failover Upon AC loss, instantaneous
Batteries are sold separately

Agency Listings

CE European Conformity

Physical and Environmental

Dimensions (W x L x H)

Enclosure: 1.625" x 19.125" x 8.5"
(41.3mm x 486mm x 216mm)
Shipping: 20.25" x 12.5" x 5.5"
(514.4mm x 317.5mm x 139.7mm)

Weight (approx.)

Product: 3.81 lb. (1.72 kg)
Shipping: 6.0 lb. (2.72 kg)

Temperature

Operating (120W): -40°C to 50°C (-40°F to 122°F)
Storage: -40°C to 85°C (-40°F to 185°F)

Relative Humidity

85% +/- 5%

Operating Altitude

-304.8 to 2,000m

BTU/Hr (approx.):

123 BTU/Hr.

Media Converter/Injectors



- NetWaySP1BT** 2-PoE (802.3bt) ports, single SFP port
- NetWaySP1P** Single PoE port, single SFP port
- NetWaySP2P** 2-PoE ports, single SFP port

Accessories (order separately)



SFP Modules - Hot pluggable Transceivers

- P1MM** Multi-Mode SFP Module for distances up to 550m
- P1SM10** Single-Mode SFP Module for distances up to 10km
- P1AB2K** Single Strand SFP Module for distances up to 2km
- P1GCE** Copper SFP Module for distances up to 100m



RE2 - Rack Mount Battery Enclosure

Accommodates up to four (4) 12VDC/7AH batteries

Lifetime Warranty

NetWaySP4PX

4-port Media Converter with Integral Power Supply/Charger
For Composite Fiber (Powered) Cable Application



Dimensions and Drawing

Dimensions (W x L x H approximate)

1.625" x 19.125" x 8.5" (41.3mm x 486mm x 216mm)



Lifetime Warranty

Altronix Corporation | 140 58th St | Brooklyn, NY 11220 USA

phone: +1 718.567.8181 | fax: +1 718.567.9056 | email: info@altronix.com | www.altronix.com