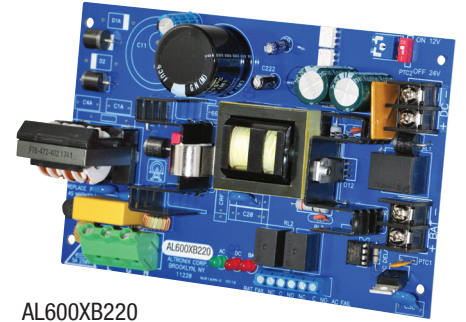


AL600XB220

Power Supply/Charger Board

Altronix AL600XB220 power supply/charger converts a 220VAC, 50/60Hz input into a single 12VDC or 24VDC output. It also offers a suite of features that includes AC fail supervision, battery presence, and low battery supervision.



AL600XB220

Specifications

Input

Voltage	220VAC (working range 198VAC - 256VAC), 50/60Hz, 1.5A max.
Fusing	5A/250V

Output

Voltage	12VDC or 24VDC selectable
Current	6A continuous supply current
Other	Short circuit and thermal overload protection Filtered and regulated

Battery Charging

Type	Sealed lead acid or gel type
Failover	Upon AC loss, instantaneous
Batteries are sold separately	

Supervision

AC Failure	Form "C" contacts
Battery	Form "C" contacts

Indicators (LED)

Input	220VAC is present
DC Output	Powered
Battery	Discharged or not connected

Agency Listings

CE	European Conformity
----	---------------------

Physical and Environmental

Dimensions (L x W x H)

Board:	7.1" x 4.5" x 2" (180.3mm x 114.3mm x 50.8mm)
Shipping:	10" x 8" x 4" (254mm x 203.2mm x 101.6mm)

Weight (approx.)

Product Weight:	0.8 lb. (0.36 kg)
Shipping Weight:	0.95 lb. (0.43 kg)

Temperature

Operating:	0°C to 49°C (32°F to 120°F)
Storage:	-20°C to 70°C (-4°F to 158°F)

Relative Humidity

85% +/- 5%

BTU/Hr (approx.)

12VDC:	37 BTU/Hr.
24VDC:	74 BTU/Hr.

Lifetime Warranty

AL600XB220

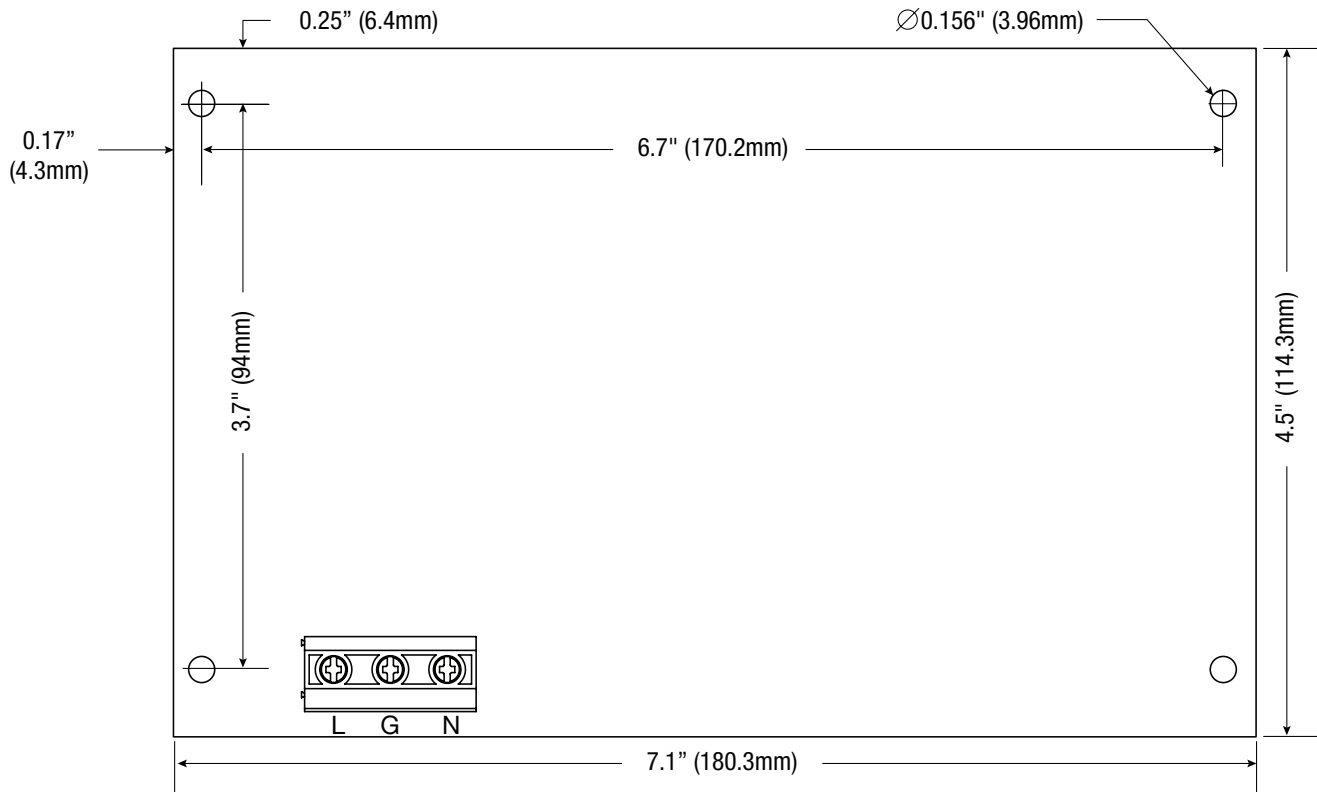
Power Supply/Charger Board

Dimensions and Drawing

Board Dimensions (L x W x H approximate)

7.1" x 4.5" x 2" (180.3mm x 114.3mm x 50.8mm)

Mounting Holes' Tolerance: +/- 0.04 in. (1mm)



Lifetime Warranty

Altronix Corporation | 140 58th St | Brooklyn, NY 11220 USA

phone: +1 718.567.8181 | fax: +1 718.567.9056 | email: info@altronix.com | www.altronix.com